

## Stanley Access Technologies

### Dura-Max™ Series 5400 Telescopic Sliding Door System

- Revolutionary New Slide Door Design
- Elegant Center-Egress Door System for Narrow Openings
- Provides Maximum CDO for Available Rough Opening
- Bi-Parting, Six Panel Telescopic



### Exciting New Slide Door Design Developed for Narrow Slide Door Openings and as a Solution for Two-Panel Swing Applications as Well

- Innovative new slide door developed as an option for narrow clear-door-openings
- Elegant new design with flush glazing, narrow stiles and 100 percent overlapping panels
- Ultimate in customer safety with two overhead sensors and two doorway holding beams
- Easy breakout and reset from breakout with new tri-panel breakout design
- Meets ANSI/BHMA A156.10 standards
- Trackless design ideal for all types of floor conditions
- Solenoid Locking for added safety and security

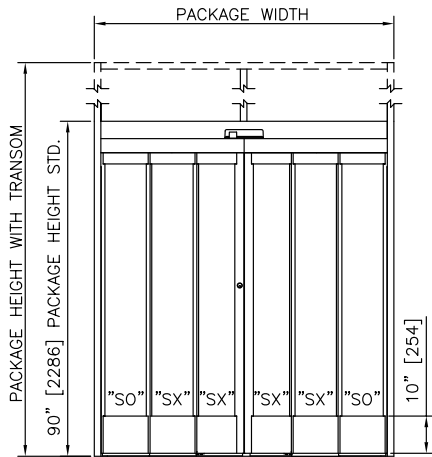
Stanley Access Technologies - safe, cost effective, and durable solutions customized for every application.

# Dura-Max Series 5400™ Telescopic Sliding Door System

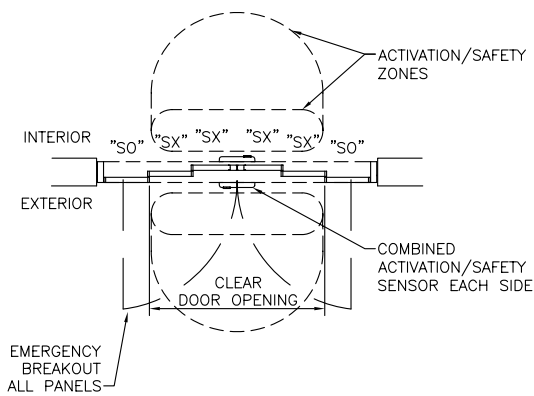
## Product Specifications

Description	Standard	Optional
Design	Bi-parting, 6-panel telescopic	
Breakout	Full breakout of all six panels	
Jamb Dimension	1.75"	.25"
Finish	Clear or Dark Bronze	Special Finish Available
Stiles	Narrow 1.0"	2.25" on lead stile
Thermal Glass	Standard (shipped from factory)	
Percent (%) Glass	80% (width ratio)	
Reinforced Strike	Standard	
Best Lock Cylinder	Standard with Construction Core and Key	
Cylinder	Thumb Turn	
2-Point Lock	Standard	
MC-521 Pro Controller	Standard	
3-Position function rocker switch	Standard (auto, on/off, hold open)	
6-Position Rotary Switch	Optional	
One Way Switch	Standard	
Lock Indicator	Optional	
Jamb Cams (1 3/4" jamb)	Optional	
Door Position Switch	Single	Dual
Access Control	Optional	
Solenoid Locking	Optional	
Thresholds	Optional, not required	
Integrated Alarm Contacts	Optional	
Transom	Optional	
Panel Storefront Extrusion Tubes	Used in conjunction with 1 3/4" or 1/4" jamb	
Codes	IBC, CBC, NFPA, UL, ANSI/BHMA, AIA	

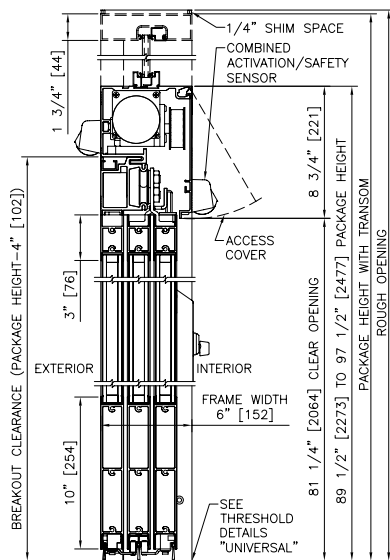
Elevation View



Plan View



Vertical Section



Typical Package Dimensions - 1 3/4" Jamb

Package Width	Nominal Clear Door Opening	Door Panel Nominal Width	Emergency Breakout Nom. Width
74.5"	46.5"	12.1"	59.7"
92.5"	58.5"	15.1"	77.7"
110.5"	70.5"	18.1"	95.7"

Horizontal Section

